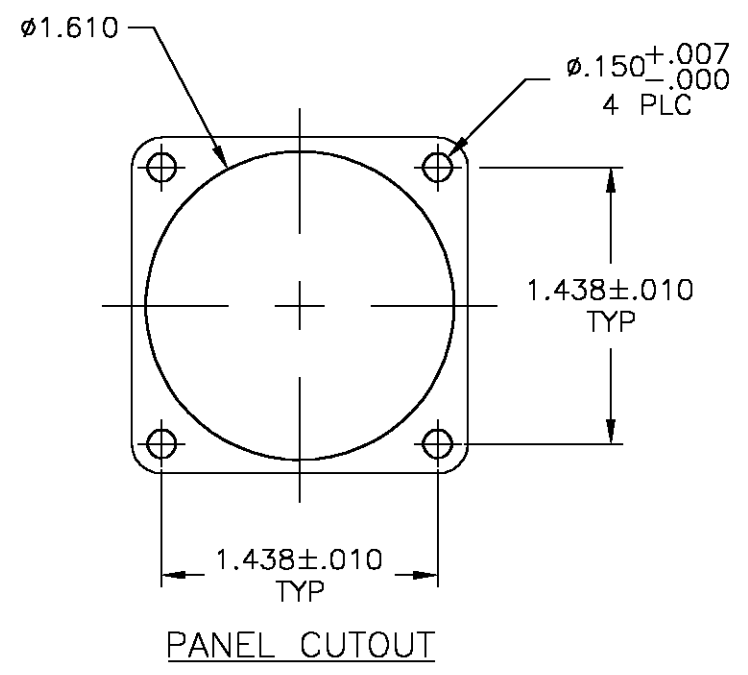
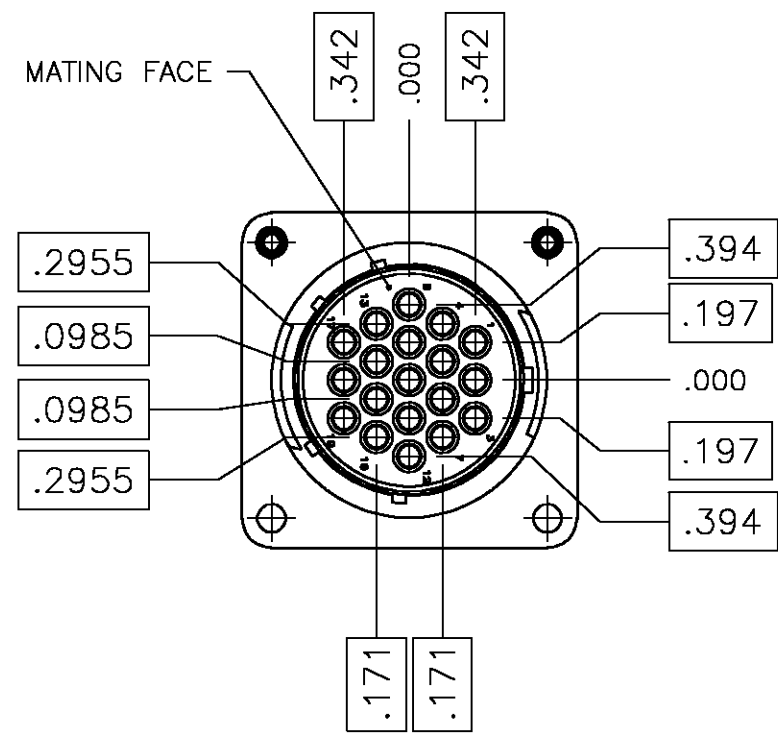
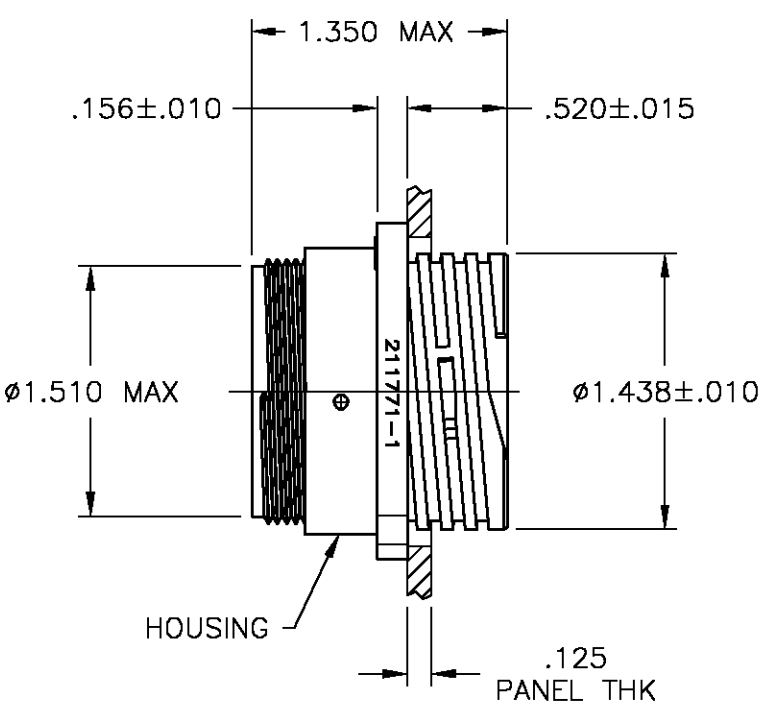
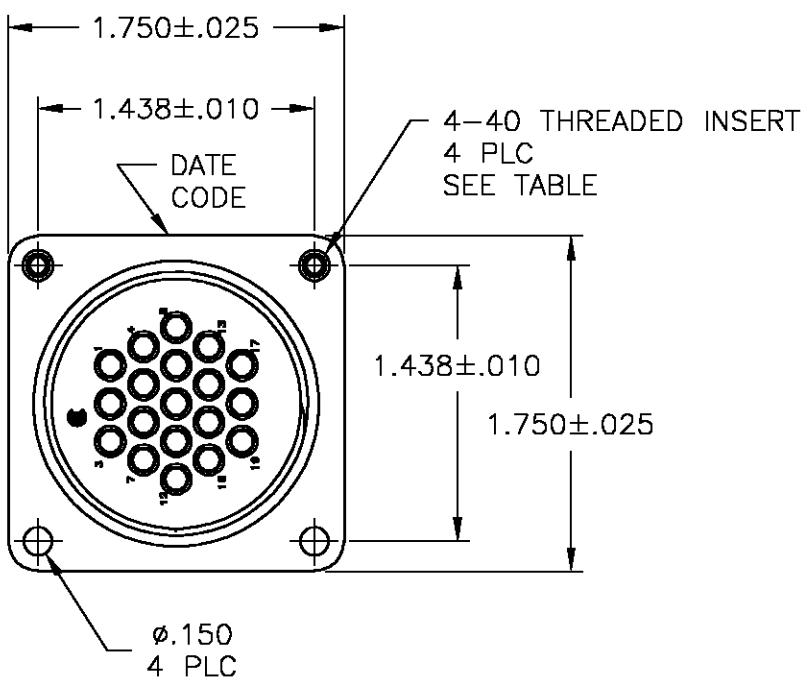


THIS DRAWING IS UNPUBLISHED. RELEASED FOR PUBLICATION  
 © COPYRIGHT BY TYCO ELECTRONICS CORPORATION. ALL RIGHTS RESERVED.

LOC	DIST	REVISIONS					
FT	0	P	LTR	DESCRIPTION	DATE	DWN	APVD
			D	REVISED PER 0G3B-0686-04	8/6/04	SS	SH

NOTES:

- 1. HOUSING: NYLON, BLACK.  
THREADED INSERTS: BRASS.
- 2. WILL ACCEPT (19) MULTIMATE PIN CONTACTS.



YES	NORMAL	211771-2
NO	NORMAL	211771-1
4-40 THREADED INSERTS	KEYING	PART NUMBER

THIS DRAWING IS A CONTROLLED DOCUMENT.		DWN C.OBERMAN 8-16-94	Tyco Electronics Corporation Harrisburg, Pa 17105-3608													
DIMENSIONS: INCHES		CHK R.STONE 8-17-94														
TOLERANCES UNLESS OTHERWISE SPECIFIED:		APVD 10-3-94 A.FRANTUM	NAME RECEPTACLE HOUSING, STD SEX, SERIES I, SHELL SIZE 23, CPC													
<table border="1"> <tr><td>0 PLC</td><td>± -</td></tr> <tr><td>1 PLC</td><td>± -</td></tr> <tr><td>2 PLC</td><td>± .005</td></tr> <tr><td>3 PLC</td><td>± -</td></tr> <tr><td>4 PLC</td><td>± -</td></tr> <tr><td>ANGLES</td><td>± -</td></tr> </table>		0 PLC	± -	1 PLC	± -	2 PLC	± .005	3 PLC	± -	4 PLC	± -	ANGLES	± -	PRODUCT SPEC 10-3-94 A.FRANTUM	SIZE A3	
0 PLC	± -															
1 PLC	± -															
2 PLC	± .005															
3 PLC	± -															
4 PLC	± -															
ANGLES	± -															
MATERIAL		APPLICATION SPEC	CAGE CODE 00779	DRAWING NO C-211771												
FINISH		WEIGHT	RESTRICTED TO													
-		CUSTOMER DRAWING	SCALE 1:1	SHEET 1 OF 1												
			REV D													